

# UFO LED Highbay Light Luminous Flux Lamp (140 LM/W)



ISO 9001:2015

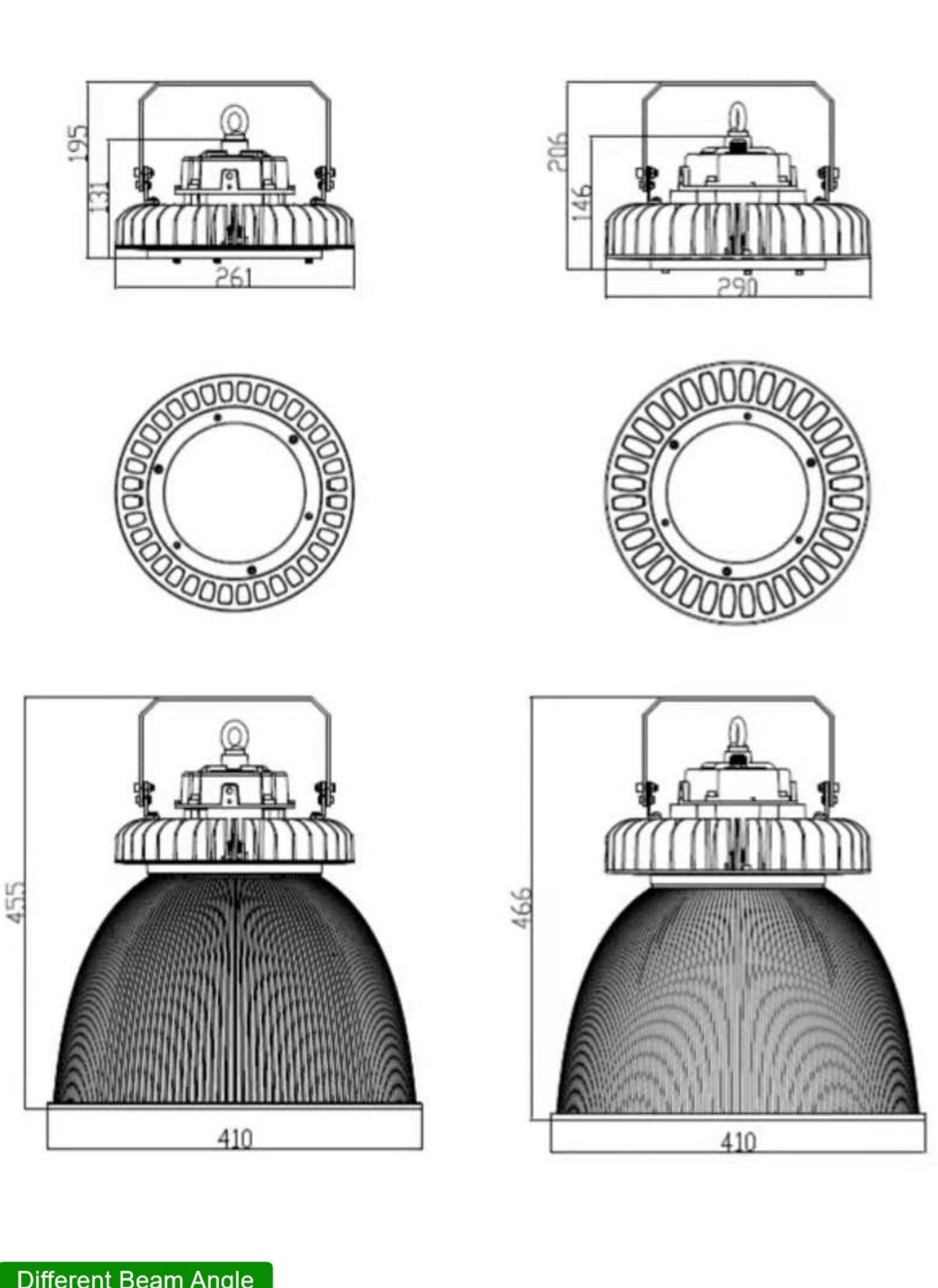
## Specification

Product Range				
Model Numbers	PL-UFO-Y-100W	PL-UFO-Y-140W	PL-UFO-Y-200W	PL-UFO-Y-240W
Luminosity	14000lm±5%	21000lm±5%	28000lm±5%	33600lm±5%
Power	100W	140W	200W	240W
Light Efficiency	140lm/w	140lm/w	140lm/w	140lm/w
Chip Brand	lumileds 3030			
CCT	3000K-4000K-5000K-5700K-6500K			
CRI	Ra>70/80			
Beam Angle	120/60°			
Input Voltage	AC100-277 V 50-60HZ PF>0.9			
IP Grade	IP65 IK08			
Driver	Our Own Brand Driver Or Meanwell Driver			
LED Lifespan	50000 Hours at 50°C ambient temperature			
Working Temperature	-40°C ~ 50°C			

## Structure(unit:mm)

### 100W 150W

### 200W and 240W



## Different Beam Angle

### Temperature testing



PCB Temperature

Lamp body Temperature

Driver Temperature

More Optional

UFO Type 120°



## Installation

### Hook mount

- 1.Screw the circular ring tight.
- 2.Please hang the fixture into the lifting hook and protectt it from falling.
- 3.Connect the wires.

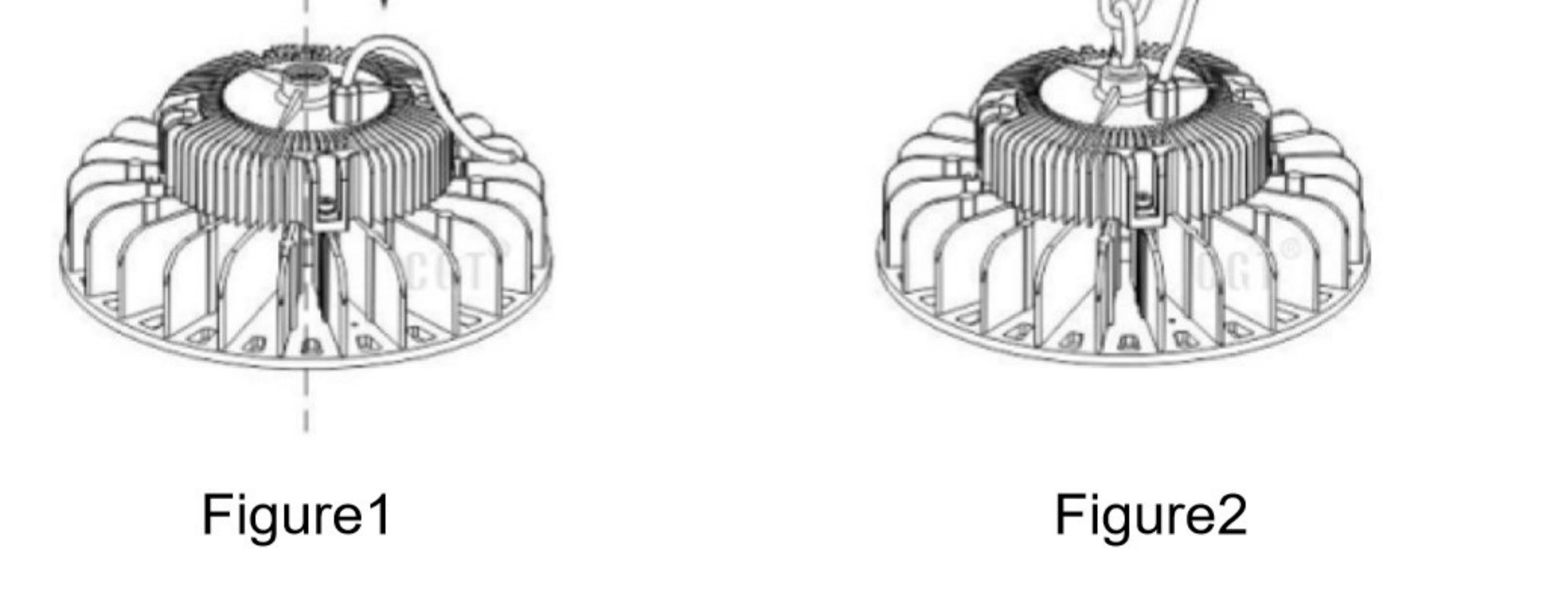
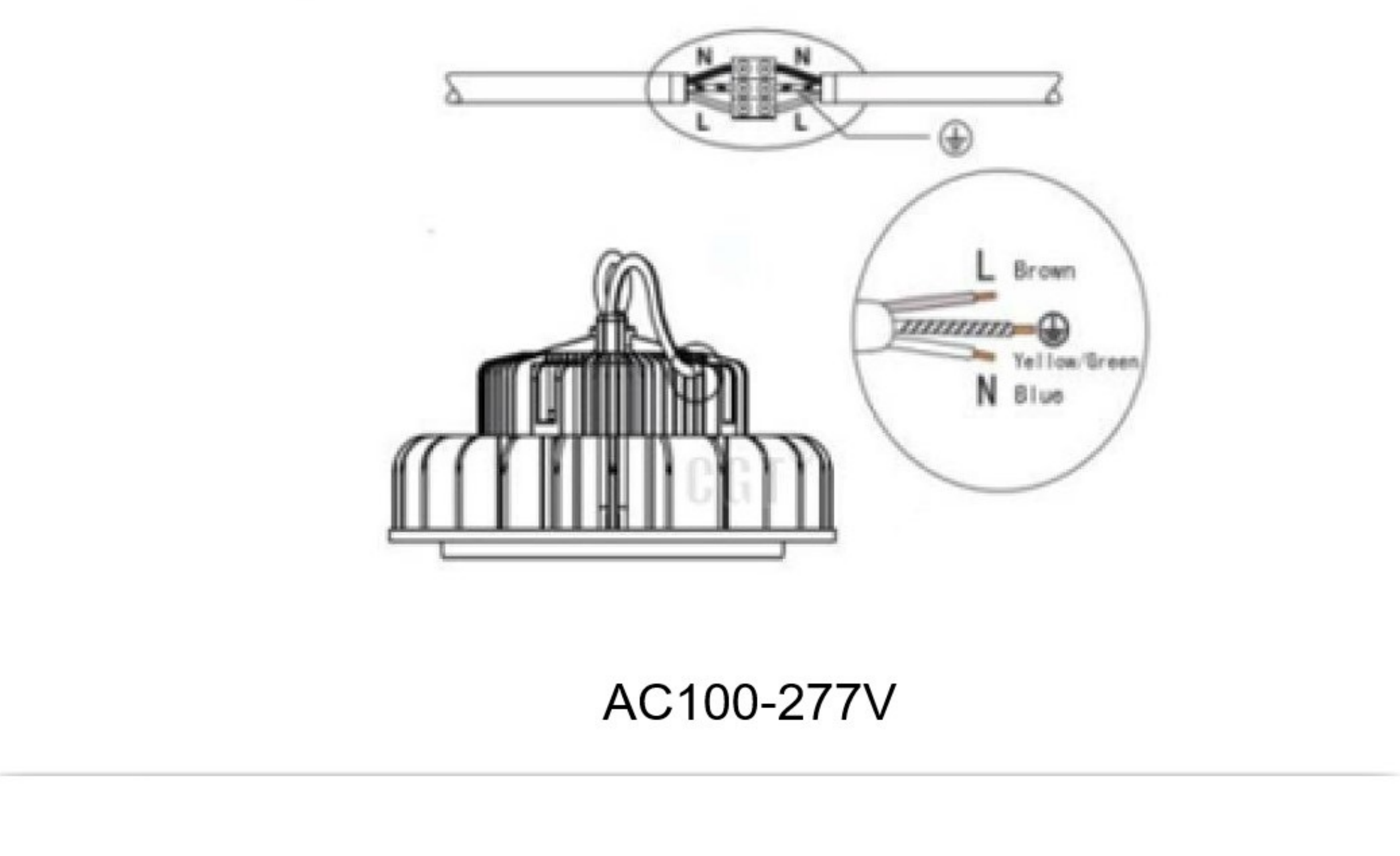


Figure1

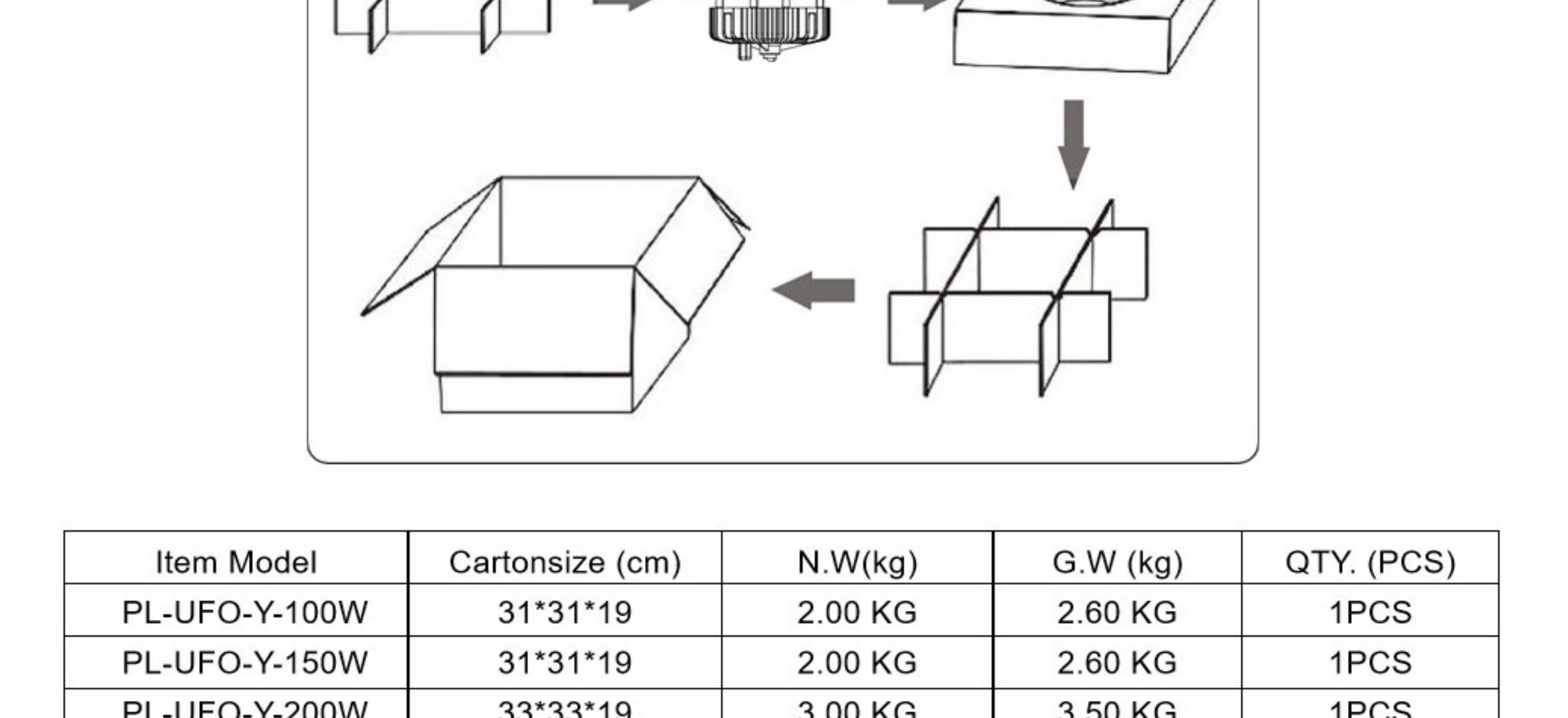
Figure2

## Wiring diagram



AC100-277V

## Packing



Item Model	Cartonsize (cm)	N.W(kg)	G.W (kg)	QTY. (PCS)
PL-UFO-Y-100W	31*31*19	2.00 KG	2.60 KG	1PCS
PL-UFO-Y-150W	31*31*19	2.00 KG	2.60 KG	1PCS
PL-UFO-Y-200W	33*33*19	3.00 KG	3.50 KG	1PCS
PL-UFO-Y-240W	33*33*19	3.00 KG	3.50 KG	1PCS

## APPLICATION

